

STANLEY

BUSITICH

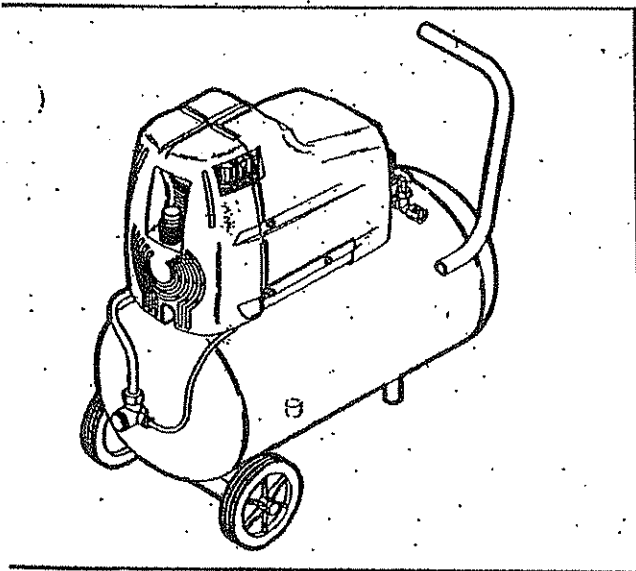
CWC 156

PORTABLE AIR COMPRESSOR OIL-LUBE 1 CYLINDER LOW PROFILE DESIGN

COMPRESSEUR PORTATIF À AIR MODÈLE COMPACTE AVEC HUILE À UN PISTON.

COMPRESOR DE AIRE PORTATIL MODELO COMPACTO, CON ACEITE DE UN PISTÓN

15^{HP}



CARACTÉRISTIQUES TECHNIQUES

Moteur	1,5HP - 115V - 60Hz
Fusible requis	15A min.
Variété d'opération	0 a 116 PSI
Ajustment de la soupape de sûreté	150 PSI
Déplacement du piston	3,55 po cube
Livraison de l'air	4,5 CFM a 40 PSI 3,2 CFM a 90 PSI

Ampérage maximal à la pression de travail	14,5 A
Capacité du réservoir	5,8 gallons
Sortie de réservoir	1/4" NPT
Commutateur pression	Amorce a 87 PSI Arrêt a 116 PSI
Poids	44,4 lbs - 27 kg.

PSI=Livres au pouce carre.

CFM=Pieds cubes par minute.

REQUIREMENTS

Motor requirements
Operating range
Safety valve setting
Air displacement
Delivery

1,5HP - 115V - 60Hz
15 Amps minimum
0 - 116 PSI
150 PSI.
3,55 cu.in.
4,5 CFM @ 40 PSI
3,2 CFM @ 90 PSI

Maximum Amps at
Working pressure

14,5 A

Pressure
switch

5,8 gallons
1/4" - NPT
On @ 87 PSI
off @ 116 PSI
44,4 lbs.

Weight

PSI = pounds per square inch - CFM = cubic feet per minute

CARACTERISTICAS TECNICAS

Motor	1,5HP - 115V - 60Hz
Fusible requerido	15A min.
Campo de funcionamiento	0 a 116 PSI
Regulación válvula de seguridad	150 PSI
Aire aspirado	3,55
Aire restituido	4,5 CFM a 40 PSI 3,2 CFM a 90 PSI

Maxima absorción con funcionamiento normal
Capacidad deposito
Diámetro de salida del aire
Regulación presostato

14 A

5,8 gallons
1/4" NPT
Partida a 87 PSI
Parada a 116 PSI
44,4 lbs

Peso



RULES FOR SAFE OPERATION

Read and understand the information in this owner's manual before operating air compressor.

1. Wear eye protection when operating compressor.
2. The compressor should be operated in a dry, clean and well ventilated area.
3. Replace the plastic cap on the casing cover (Fig. 1) with the oil dipstick. Check the oil level by referring to the notches on the dipstick.
4. Inspect before use: hose, plug and cord for signs of damage. Do not use if a deficiency is found. Contact your nearest service center for replacement parts. Never operate a damaged unit.
5. Do not tamper with safety valve as it has been factory set. Any adjustment to this valve could cause serious injury.
6. Compressed air blast must never be aimed at anyone because it can cause serious injury. Keep children away. Wear eye protection.
7. All air compressor generate heat even under normal operating conditions. To avoid serious burns, never touch the cylinder head parts and tubing during and immediately after operation.
8. When unit is not in use, wrap cord around compressor and store in dry place. Do not abuse cord.

If warranty service or repairs are needed, contact your nearest authorized service center. If necessary, contact the factory. Unauthorized repairs or teardown of the unit will void factory warranty.

▲WARNING:

DRAIN TANK DAILY OR AFTER EVERY 4 HOURS USE
CONDENSATION BUILD-UP MAY CAUSE CORROSION INSIDE TANK. AVOID RISK OF TANK FAILURE IN USE.
OPEN DRAIN FITTING AND TILT COMPRESSOR TO EMPTY ACCUMULATED WATER.
GENERAL DESCRIPTION
 Performance combined with portability makes the STANLEY BOSTITCH CWC 156 the finest, most convenient tank compressor for the professional or hobbyist. This compressor includes a 5.8 gallon air storage tank, and an automatic pressure switch control. This compressor operates with oil.

APPLICATION
 Ideal as primary or secondary air source for almost any operation. Particularly suitable for shops and construction sites where continued use demands high reliability. Perfect for small pneumatic fastening tools.

OPERATING INSTRUCTIONS
 Operate only on level surface to assure proper lubrication. The compressor is operated by an on/off knob on the top of the pressure switch. By pulling the knob from O to I the compressor will start and stop automatically within the settings of the pressure switch. The pressure switch is factory adjusted to start the compressor when the pressure in the tanks is below 87 PSI, and to stop when the pressure reaches 116 PSI. To stop the compressor, push the knob to O (Do not stop the compressor by removing the electrical plug).

WHEEL ASSEMBLY
 The wheels are disassembled. Remove 2 screws, 2 wheels and 2 nuts from the bag and install them on the foot section of the tank as shown in Fig. 2.

OIL CHANGE - OILTOPPING UP
 Within the first 50 hours of operation, completely replace the oil of the pumping element. Unfasten the oil drain cap on the casing cover, let out all the oil, and screw the cap back on. Pour oil into the upper hole of the casing cover to the level indicated on the dipstick. Check the oil level of the pumping element once a week. Top up if necessary.

ADJUSTMENT OF WORKING PRESSURE
 Unlock the knob pressure reducer by pulling it up, adjust the pressure to the required level by turning the knob clockwise to increase it and counter-clockwise to decrease it. When the required pressure is reached, lock the knob by pushing it firmly down (Fig. 3).

▲WARNING:

WHEN SPRAYING LAQUER OR OTHER FLAMMABLE LIQUIDS, THERE IS DANGER OF FIRE OR EXPLOSION. SPRAYING AREA MUST BE WELL VENTILATED AND AWAY FROM ANY OPEN FLAME. DO NOT SMOKE. LOCATE COMPRESSOR MAXIMUM DISTANCE FROM SPRAYING AREA. TO MINIMIZE RISK OF ELECTRICAL SHOCK, DO NOT EXPOSE TO RAIN. STORE INDOORS.

SAFETY VALVE
 The safety valve (part. # 1) is set to avoid over pressurization of the air tank. It is preset at 160 PSI and will not function unless tank pressure reaches this pressure. Do not attempt to adjust or eliminate this safety device.

▲WARNING:

Do not perform welding operations on the air tank(s) of this compressor. Welding on the air compressor tank(s) can severely impair tank strength and cause an extremely hazardous condition. Welding on the tank(s) in any manner will void the warranty.

CYLINDER HEAD UNLOADER (Fig. 4)
 When the air receiver tank has reached optimum pressure and the motor has shut off, this valve bleeds off the air remaining in the tank fill pipe and cylinder head. This valve eliminates back pressure which would make restarting very difficult.

SERVICE NOTE
 If either the Cold Start (part. # 44) or Cylinder Head Unloader Valve begins to leak - giving a constant hiss - or if the motor runs continuously without filling the tank - the most likely problem is a small piece of dirt or dust on valve seat. Turn on/off knob counterclockwise to the off position and unplug the electric cord and drain the air receiver tank(s). The cylinder head unloader valve can be dismantled and cleaned.

The cold start valve cannot be dismantled, but can be cleaned in any grease/oil solvent. Restart the motor and determine if the valve is now working properly. Avoid using long extension cords. They can cause power loss to the compressor and are the most common cause of a low voltage situation. If extension cords are needed, use the following recommended sizes of three wire extension cords:

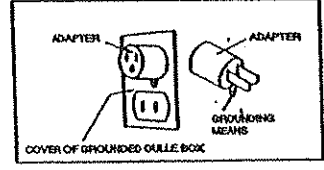
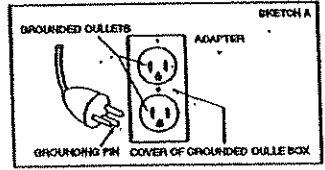
Cord Length	Minimum Wire Size
Less Than 25 Ft.	14 Gauge
25-50 Ft.	12 Gauge

ELECTRICAL GROUNDING INSTRUCTIONS

This product should be electrically grounded. In the event of an electrical short circuit, grounding reduces the risk of electrical shock by providing an escape wire for electrical current. This product is equipped with a cord having a grounding wire with an appropriate grounding plug. The plug must be plugged into an outlet that is properly installed and grounded in accordance with all local codes and ordinances. This product is shipped for use on a nominal 115 volt, and has a grounding plug that looks like the plug illustrated in sketch A in Fig. 1. A temporary adapter, which looks like the adapter illustrated in sketches B and C, may be used to connect this plug to a 2-pole receptacle as shown in sketch B if a properly grounded outlet is not available. The temporary adapter should be used only until a properly grounded outlet (sketch A) can be installed by a qualified electrician. The green colored rigid lug, or wire extending from the adapter must be connected to a permanent ground such as a properly grounded outlet box cover (sketches B and C). Whenever the adapter is used it must be held in place by a metal screw.

▲WARNING:

IMPROPER INSTALLATION OF THE GROUNDING PLUG CAN RESULT IN A RISK OF ELECTRICAL SHOCK. If repair or replacement of the cord is necessary, do not connect the grounding wire to either flat blade terminal. The wire with insulation having an outer surface that is green or without yellow stripes is the grounding wire. Check with a qualified electrician or serviceman if the grounding instructions are not completely understood, or if in doubt as to whether this product is properly grounded. Do not modify the plug provided; if it will not fit the outlet, have the proper outlet installed by a qualified electrician.



The motor of this compressor has a thermal overload protector. If the motor should overheat, the overload protector will shut off the motor. If this should occur, turn the on/off knob on the pressure switch to "O", to the off position and allow the motor to cool (approximately 5 minutes). Tank pressure must be below 87 PSI for the compressor to start. Restart compressor by turning the knob to the ON position. If the compressor fails to start, check for blown fuses; the compressor may need to cool further before attempting to restart. If the overload protector shuts off the motor frequently, you may have a low voltage situation. Low voltage can also be suspected when:

1. The motor does not reach full power or speed.
2. Fuses blow or circuit breakers trip when starting compressor.
3. Lights dim or remain dim when compressor is started.
4. Other motor operated appliances fail to operate properly.

Too many motor operated appliances on the same circuit may be the cause.

IMPORTANT

Do not stop compressor by pulling out the plug. Use only on/off switch which operates a pressure-relief valve on the compressor. If compressor is plugged in with the switch in "ON" position, the compressor may have trouble restarting against the high pressure causing excessive heat build-up, which may ruin the motor.

MAINTENANCE

1. AIR FILTERS — (Part. # 2) must be kept clean. A dirty filter will not allow the compressor to operate at full efficiency. To clean, wash filter with soap and water, and let dry. Replace with new filter if it becomes clogged or damaged.

LUBRICATION

Check oil level once a week. If level is low do not operate compressor. Add oil to bring the level up to the max. notch on the dipstick (Fig. 5). After the first 50 hours of use, drain and refill with approximately 6.7 oz of SAE 5W50 oil. Thereafter change oil every 300 hours of use.

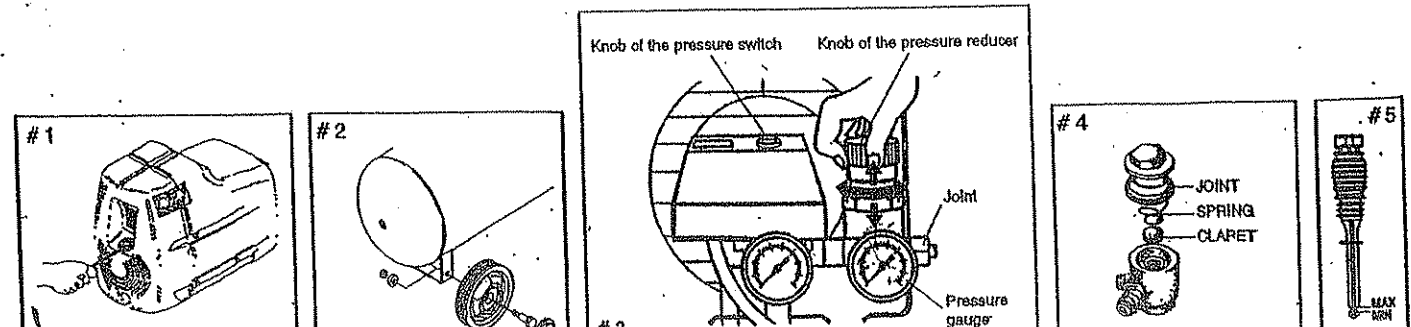
▲WARNING:

DO NOT WASH FILTER USING FLAMMABLE SOLVENT AS AN EXPLOSIVE CONDITION COULD RESULT.

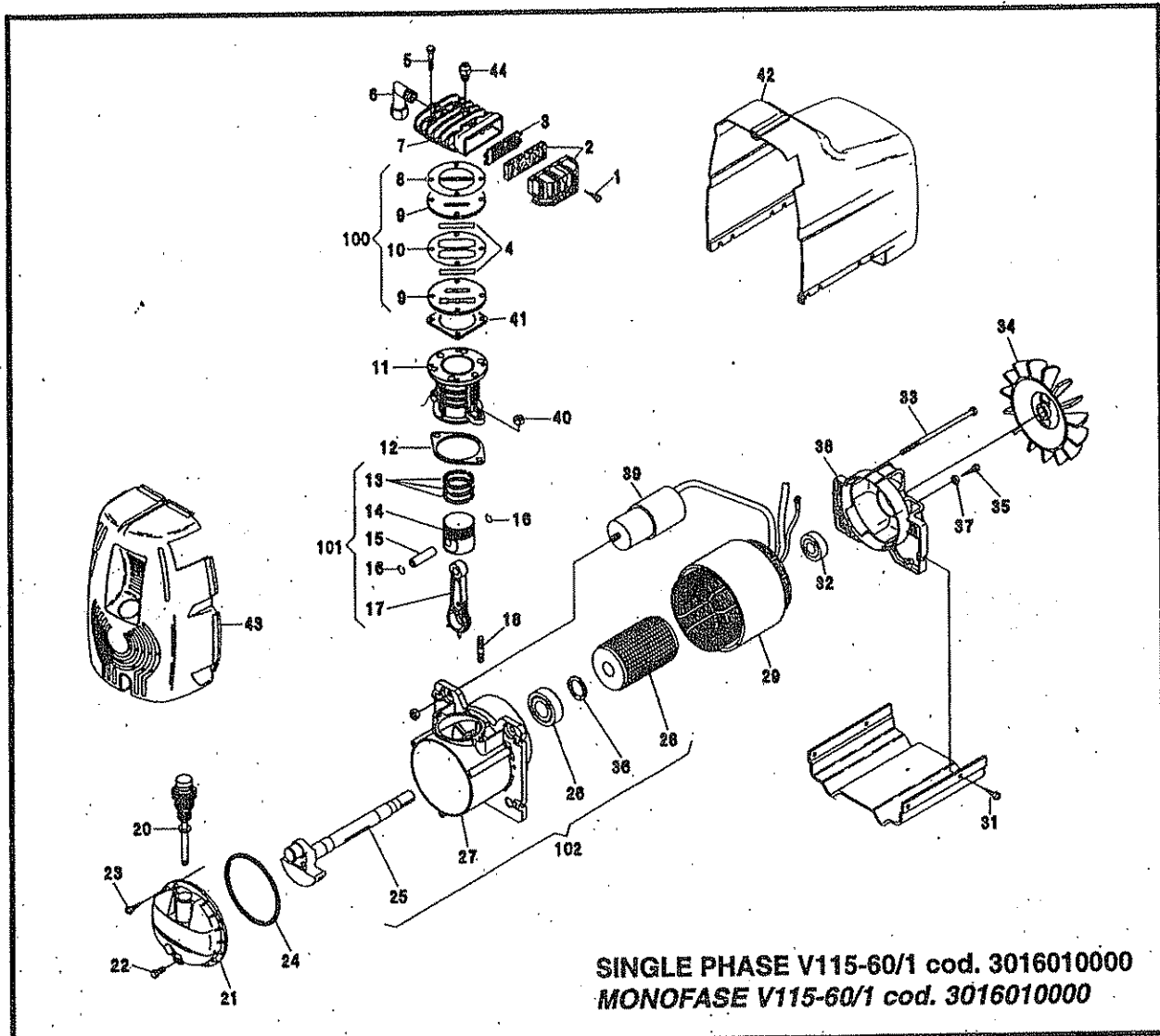
2. TANK DRAIN — Water should be drained from the air tank daily or after every 4 hours of use. The tank is equipped with a Drain Fitting (Part. # 15). Open fitting and tip unit allowing the water to drain.

▲WARNING:

FAILURE TO REGULARLY DRAIN TANK MAY CAUSE TANK CORROSION AND RISK OF TANK EXPLOSION RESULTING IN SERIOUS INJURY.



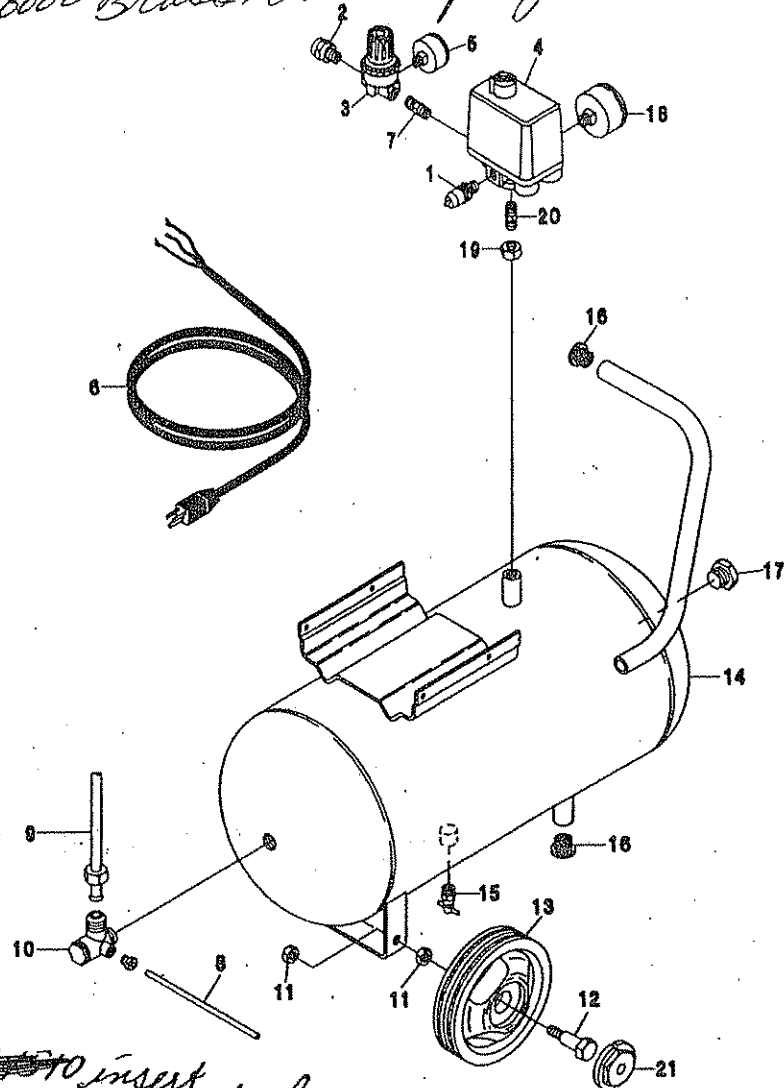
CWC 156 PARTS DRAWING AND PARTS LIST
 DIAGRAMME DU CWC 156 ET LISTE DES PIECES
 DIBUJO DESARROLLADO DEL COMPRESOR CWC 156 Y LISTA DE LOS COMPONENTES



SINGLE PHASE V115-60/1 cod. 301601000
 MONOFASE V115-60/1 cod. 301601000

REF. RIF.	CODE CODICE	QT	DESCRIPTION DESCRIZIONE	REF. RIF.	CODE CODICE	QT	DESCRIPTION DESCRIZIONE
1	7012010000	1	Screw - Vite ø 3.9x19 "B" UNI 6954	39	7310360000	1	Capacitor - Condensatore 60 µF
2	4085010000	1	Intake filter - Filtro aspirazione	40	7020070000	2	Nut - Dado M8 UNI 5587
3	7458340000	1	Filter plate - Piastrina filtro	42	7150820000	1	Motor housing - Carenatura motore
4	4081010000	1	Set of valve - Kit valvole	43	7150830000	1	Compressor housing - Carenatura compressore
5	7011290000	4	Screw - Vite T.E. M6x35 UNI 5737	44	7196000000	1	START valve - Valvola START
6	7084080000	1	Joint - Raccordo				
7	5030160008	1	Head - Testa	100	4082670000	1	Set Plates/Valves - Kit Piastra/Valvole
8-10				101	4190330000	1	Set Con rod/Piston - Kit Biella/Pistone
12-41	4083160000	1	Set of gaskets - Kit guarnizioni	102	4280650000	1	Carter/Shaft/Rotor unit - Gruppo Carter/Albero/Rotore
9	7458020000	2	Valve plate holder - Piastra valvole				
11	7575210000	1	Cylinder - Cilindro				
13	4080010000	1	Piston rings - Kit segmenti				
14	7220010000	1	Piston - Pistone				
15	7050010000	1	Piston pin - Spinnotto				
16	7041010000	2	Ring - Anello				
17	5050150008	1	Con rod - Biella				
18	7016020000	2	Stud bolt - Prigioniero				
20	7181060000	1	Oil level - Asta livello olio				
21	7650140000	1	Carter cover - Coperchio carter				
22	7011460000	1	Screw - Vite T.E. M6x15 TAP - TITE				
23	7012100000	3	Screw - Vite ø 3.9x16 "B" UNI 6954				
24	7070370000	1	Gasket - Guarnizione				
25	5040910008	1	Crankshaft - Albero a gomito				
26	7080200000	1	Bearing - Cuscinetto 6204				
27	5070330008	1	Carter - Carter				
28	7880160000	1	Rotor - Rotore				
29	4012700000	1	Motor - Motore V115-60/1				
31	7012290000	4	Screw - Vite T.C. 5x20 TAP - TITE				

7252120000 Brass valve for pressure switch



~~to~~ insert
go inside II & tube
should be in there.

REF. RIF.	CODE CODICE	QT	DESCRIPTION DESCRIZIONE	REF. RIF.	CODE CODICE	QT	DESCRIPTION DESCRIZIONE
1	7192270000	1	Safety valve - Valvola di sicurezza				
2	7085820000	1	Joint - Raccordo 1/4" NPT				
3	7100530000	1	Pressure reducer - Riduttore di pressione				
4	7250640000	1	Pressure switch - Pressostato				
5	7110240000	1	Pressure gauge - Manometro				
6	7328620000	1	Infeed cable - Cavo alimentazione				
7	7081090000	1	Joint - Raccordo				
8	7230010000	1	Rilsan hose - Tubo rilsan 0,35 mt				
9	7232890000	1	Infeed tube - Tubo alimentazione				
10	7190080000	1	Non return valve - Valvola ritegno 1/2" M - 3/8" M				
11	7020080000	2	Nut - Dado M10 UNI 5587				
12	7018290000	2	Screw - Vite T.E. M10x65				
13	7260280000	2	Wheel - Ruota #150				
14	4500320048	1	Tank - Serbatoio				
15	7190380000	1	Discharge tap - Rubinetto spurgo				
16	7360020000	2	Rubber - Gommino				
17	7090030000	1	Plug - Tappe				
18	7110300000	1	Pressure gauge - Manometro				
19	7023040000	1	Blocking nut - Controdado				
20	7081140000	1	Joint - Raccordo				
21	7281050000	2	Hub cap - Borchia				