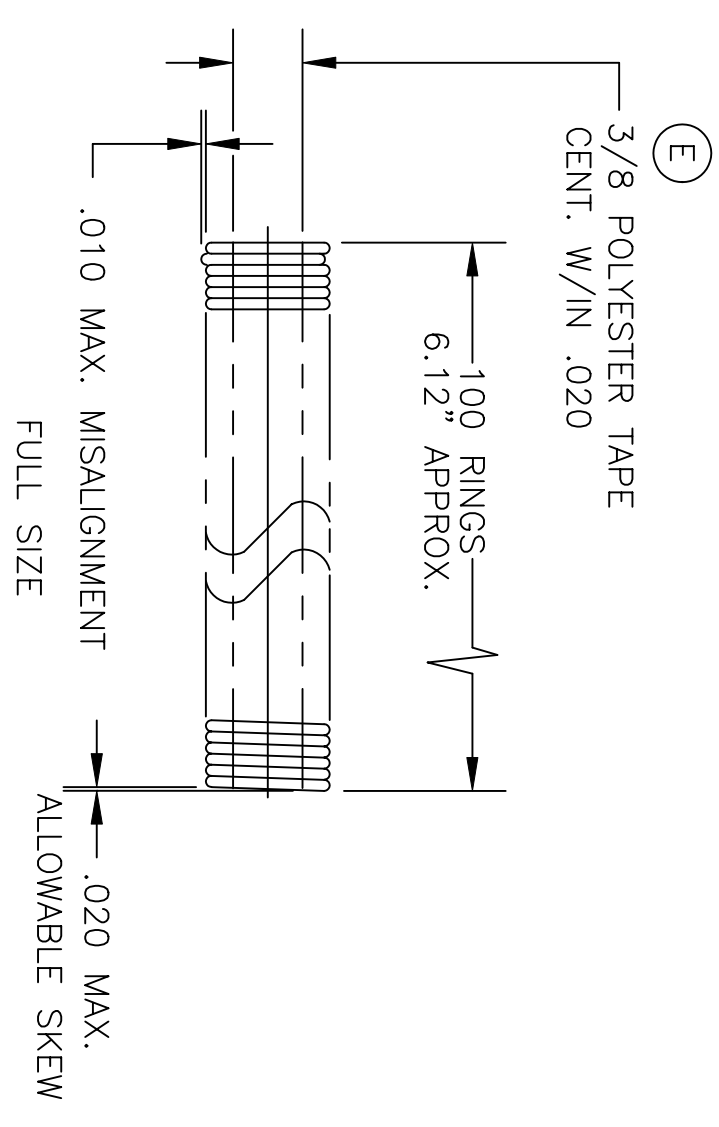
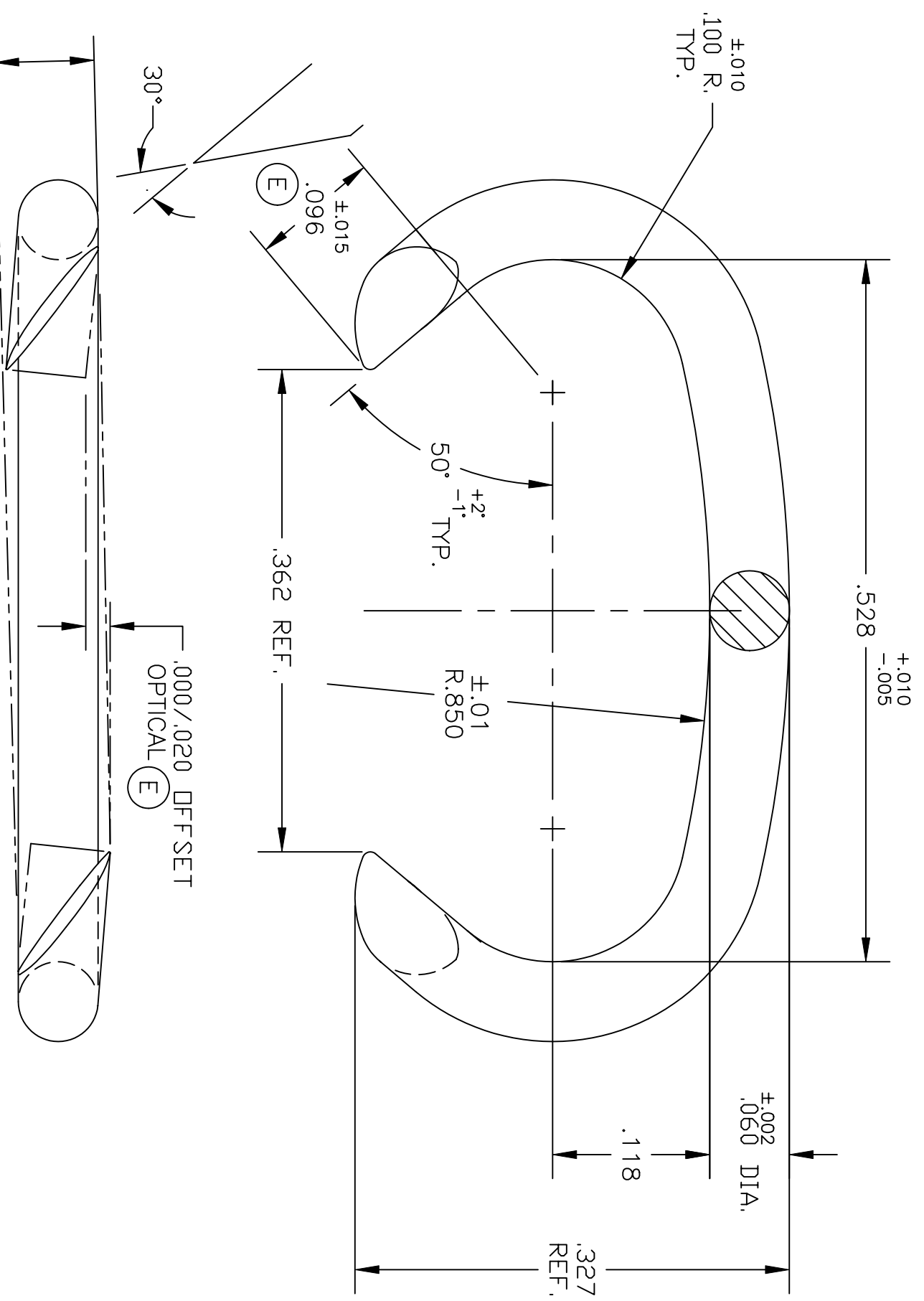


CHG. LTR.	DATE	CHECK	NUMBER	ECN	BY:
C	3/25/92	RFC	603	UP GRADED DWG-ADDED P/N'S	CLW
D	11/20/98	RFC		REDESIGN & REDIMENSIONED TO WHAT IS BEING MFG.	JSH
E	04/11/02	J.J.	4149	ADDED 3/8 TAPE & OPTICAL, WAS .109	J.J.
F				WAS RING516SS2500	



PART NO.	MATERIAL	POLYESTER TAPE
12SS100 (LEWCO)	304 STAINLESS STEEL	POLY 3/8 TAPE 3M
RING516SS100	304 STAINLESS STEEL	POLY 3/8 TAPE 3M
RING516G100	HIGH TENSILE GALV. STL.	POLY 3/8 TAPE 3M
RINGCC516SS15M	304 STAINLESS STEEL	POLY 3/8 TAPE 3M

DO NOT SCALE DRAWING

STANDARD TOLERANCE UNLESS OTHERWISE SPECIFIED

MILLIMETER INCH

WHOLE NO. ±	FRACTIONAL ±	1/32
1 PLC:DEC. ±	2 PLC: DEC. ±	.015
2 PLC:DEC. ±	3 PLC: DEC. ±	.005
3 PLC:DEC. ±	4 PLC: DEC. ±	.0005

ALL ANGLES ± 1/2°
BREAK ALL SHARP CORNERS AND EDGES

FULL SIZE



THIS DRAWING IS THE PROPERTY OF SPENAX DIVISION OF STANLEY BOSTITCH AND IS PROPRIETARY IN GENERAL AND IN DETAIL. IT SHALL NOT BE COPIED OR ITS CONTENTS REVEALED TO OUTSIDE PARTIES WITHOUT THE WRITTEN CONSENT OF SPENAX DIVISION OF STANLEY BOSTITCH

DESIGN	DRAWN	CHECK	APPD.	SCALE:
SMC				10:1 & NOTED

SPENAX
DIVISION OF STANLEY BOSTITCH

TITLE: C-RING 1/2" 16GA SHARP

REF. PART NUMBER: SEE CHART
SHEET 1 OF 1
B-00711-F