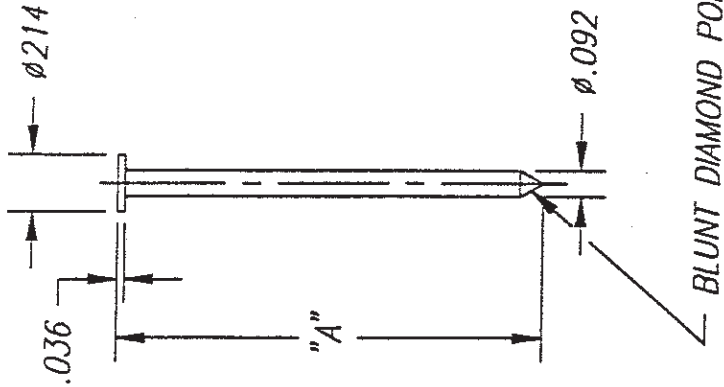


NOTES:

1. MATERIAL: LOW CARBON STEEL
2. NOMINAL TENSILE: 132,500 P.S.I.
3. WITHDRAWAL COATING ON SHANK.
COATING ON HEAD IS PERMISSIBLE.
4. THE ZINC COATING ON OUR .092 DIAMETER GALVANIZED STEEL NAIL MEETS OR EXCEEDS THE RELEVANT SPECIFICATION FOR GALVANIZED NAIL IN THE FEDERAL SPECIFICATION FF-N-105B



BLUNT DIAMOND POINT

DIR./DT.	SGS-11/9/93
CH'D/DT.	
ENG./DT.	
PROC./DT.	
METLGST/DT.	
RELEASE PED.	
SCALE:	
SHEET NO. OF	10F1

C8P90BDG	2.500
C7P90BDG	2.190
C6P90BDG	2.000
NAIL PART NO.	DIM "A"
TABULATION	

REV.	DESCRIPTION	P.E.D. NO.	DR./DT.	CH'D/DT.	ENG./DT.	PROC./DT.
MAT'L & SIZE:	HEAT TREAT:		FINISH:			
CUSTOMER REFERENCE DRAWING		DO NOT SCALE - WORK TO DIMENSIONS ONLY ALL DIMENSIONS ARE IN INCHES				
NOTE: ALL DIMENSIONS AND SPECIFICATIONS ARE NOMINAL.		 A Subsidiary of The Stanley Works East Greenwich, RI. 02816 U.S.A.				
DESCRIPTION		COIL NAIL, PLAIN SHANK COATED				
DRAWING NUMBER		101109				
REV.		A				